

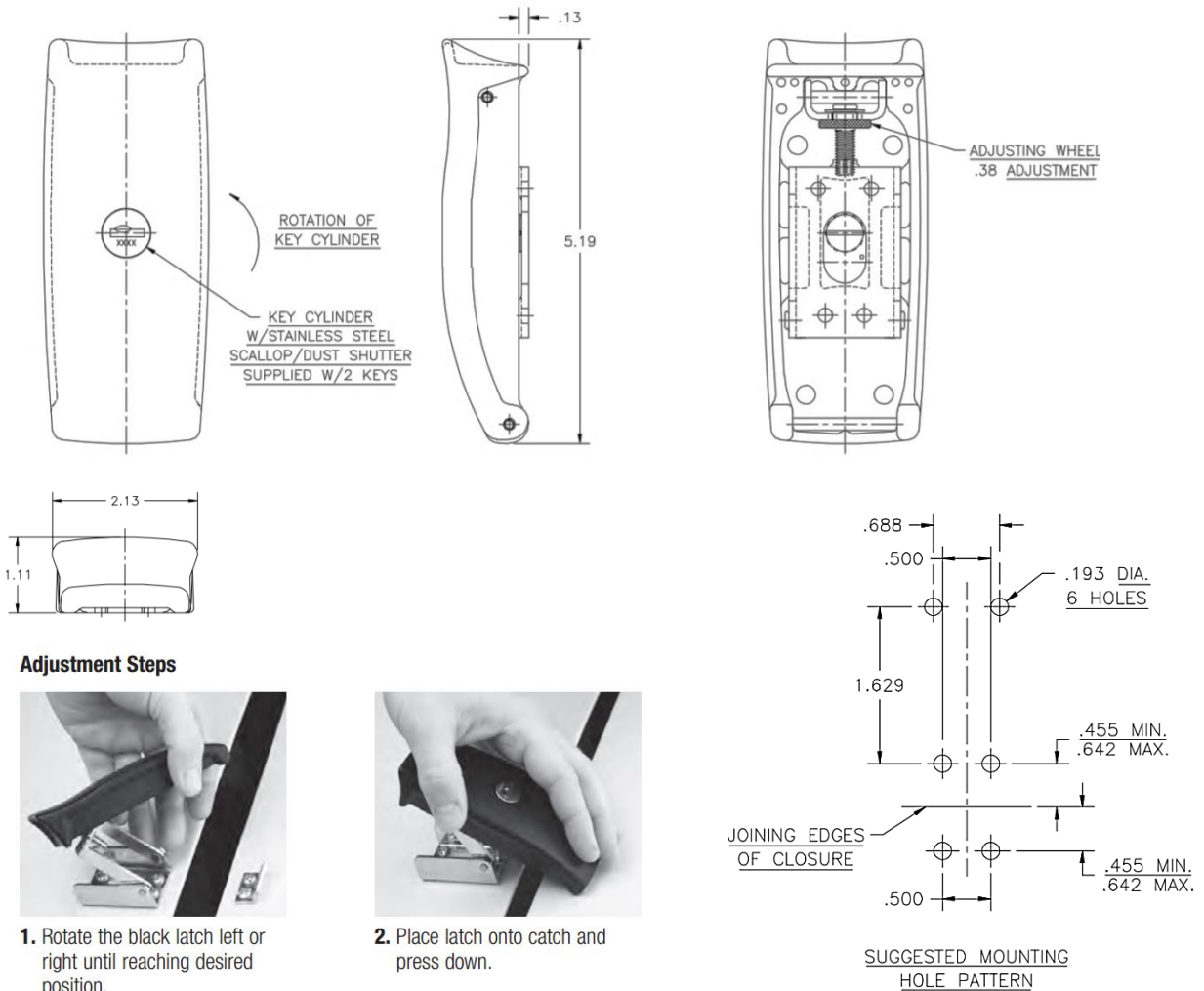
850 / 851 Adjustable Draw Latch

Features

- Stylish, adjustable draw latch that provides an extra measure of security in that it is key-locking
- Elegant black finish is designed to significantly enhance the appearance of the equipment or vehicles on which the latch is installed
- Flammable rating: UL94V-1494-5V
- Operating temperature: -25°C to 80°C
- Total adjustment range: 0.63"
- Non-locking option also available

Material

- ASA / PVC alloy, matt black finish



Adjustment Steps



1. Rotate the black latch left or right until reaching desired position.



2. Place latch onto catch and press down.



3. Key-locking the latch restricts access and conceals its working parts.

Part No.	Type
851-MB	Locking
850-MB	Non-Locking

Dimensions in inches



We are Eberhard's exclusive distributor